

 **KENWOOD**

**HF TRANSCEIVER**

**Model TS-930S**



**Radio  
Mods  
Manuals**

**KB2LJJ**

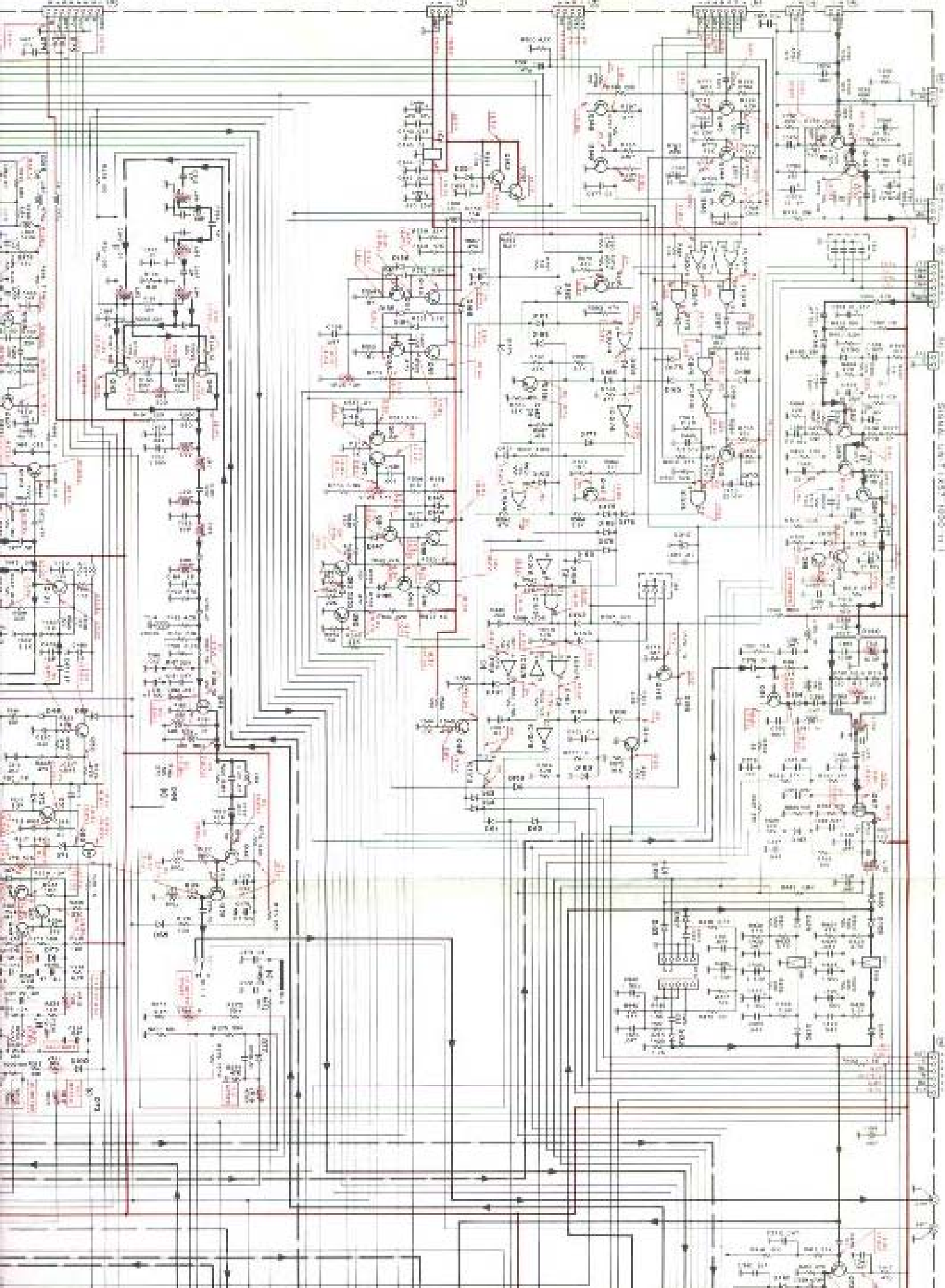
**MANUAL**

# TS-930S SIGNAL UNIT (X57-1000-11)

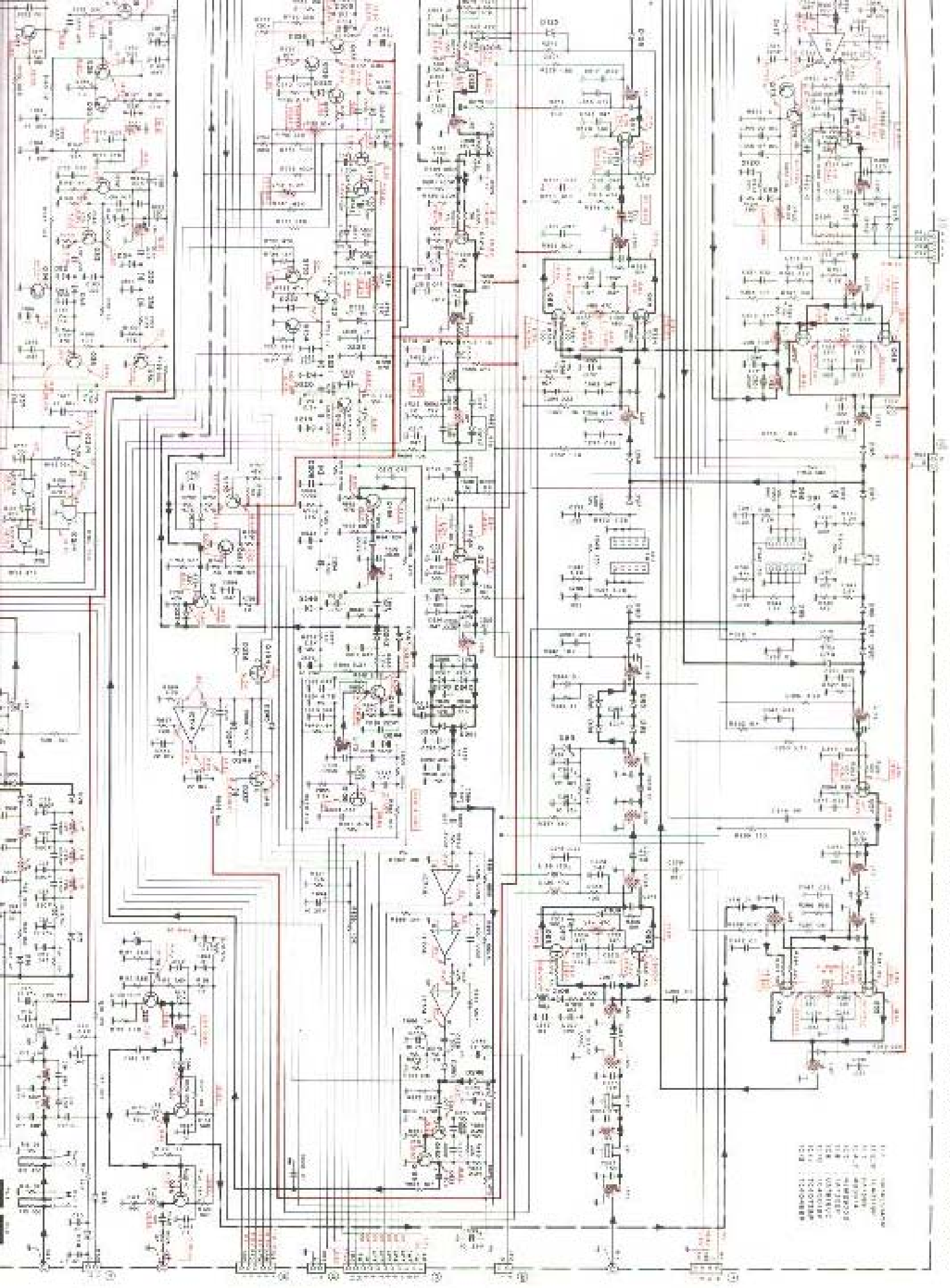
SIGNAL UNIT (X57-1000-11)

— Signal Line    - - - - Control Line

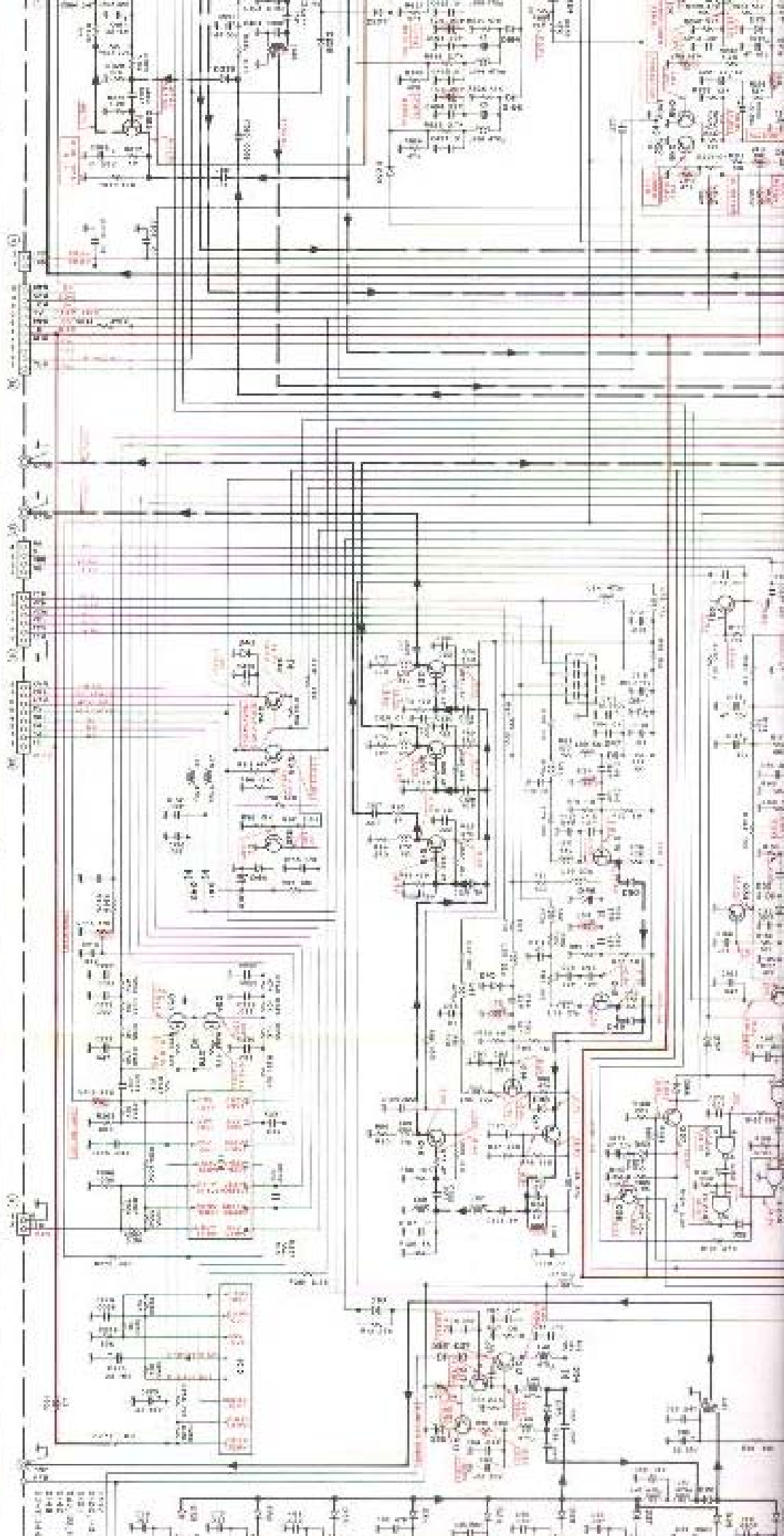
— Common DC Line



The voltages measured when receiving 14.170MHz, SSB MODE, RF GAIN : MAX. ( ) in 1X.  
 C : CW MODE, 100W OUTPUT, F : FSK MODE, M : MONITOR ON, T : TUNE MODE, S, P : SSB MODE, PROCESSOR ON



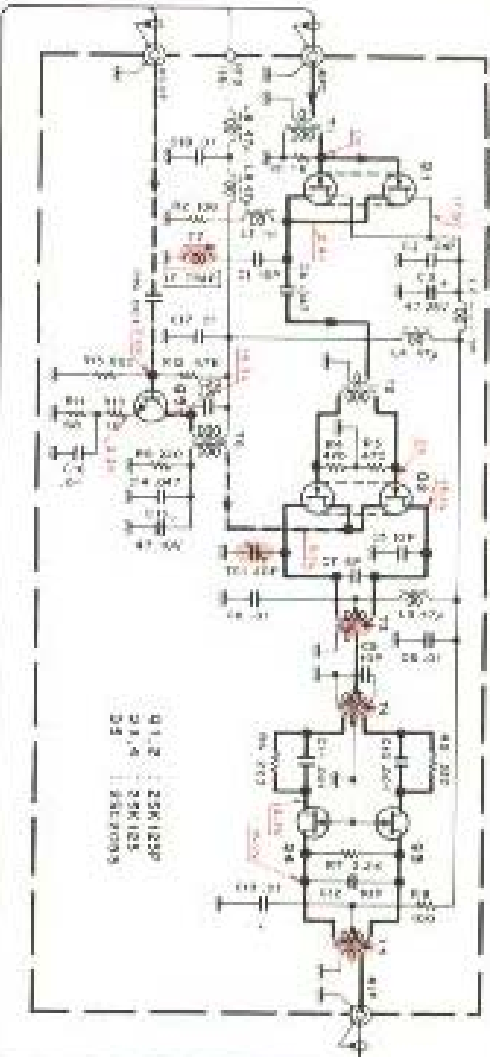




Terminal	Code	Direction	Room	Notes
1	VW	SW (1) WOOD SW S	101	
2	VW	SW (1) WOOD SW S	102	
3	PR	SW (1) FULL WOOD SW S	103	
4	SC	SW (1) STBY SW SW S	104	
5	WT	SW (1) WOOD SW S	105	
6	TC	SW (1) WOOD SW S	106	
7	LS	SW (1) WOOD SW S	107	
8	LS	SW (1) WOOD SW S	108	
9	LS	SW (1) WOOD SW S	109	
10	LS	SW (1) WOOD SW S	110	
11	LS	SW (1) WOOD SW S	111	
12	LS	SW (1) WOOD SW S	112	
13	LS	SW (1) WOOD SW S	113	
14	LS	SW (1) WOOD SW S	114	
15	LS	SW (1) WOOD SW S	115	
16	LS	SW (1) WOOD SW S	116	
17	LS	SW (1) WOOD SW S	117	
18	LS	SW (1) WOOD SW S	118	
19	LS	SW (1) WOOD SW S	119	
20	LS	SW (1) WOOD SW S	120	
21	LS	SW (1) WOOD SW S	121	
22	LS	SW (1) WOOD SW S	122	
23	LS	SW (1) WOOD SW S	123	
24	LS	SW (1) WOOD SW S	124	
25	LS	SW (1) WOOD SW S	125	
26	LS	SW (1) WOOD SW S	126	
27	LS	SW (1) WOOD SW S	127	
28	LS	SW (1) WOOD SW S	128	
29	LS	SW (1) WOOD SW S	129	
30	LS	SW (1) WOOD SW S	130	
31	LS	SW (1) WOOD SW S	131	
32	LS	SW (1) WOOD SW S	132	
33	LS	SW (1) WOOD SW S	133	
34	LS	SW (1) WOOD SW S	134	
35	LS	SW (1) WOOD SW S	135	
36	LS	SW (1) WOOD SW S	136	
37	LS	SW (1) WOOD SW S	137	
38	LS	SW (1) WOOD SW S	138	
39	LS	SW (1) WOOD SW S	139	
40	LS	SW (1) WOOD SW S	140	
41	LS	SW (1) WOOD SW S	141	
42	LS	SW (1) WOOD SW S	142	
43	LS	SW (1) WOOD SW S	143	
44	LS	SW (1) WOOD SW S	144	
45	LS	SW (1) WOOD SW S	145	
46	LS	SW (1) WOOD SW S	146	
47	LS	SW (1) WOOD SW S	147	
48	LS	SW (1) WOOD SW S	148	
49	LS	SW (1) WOOD SW S	149	
50	LS	SW (1) WOOD SW S	150	

# TS-930S SCHEMATIC DIAGRAM

RF UNIT (X44-150-001)

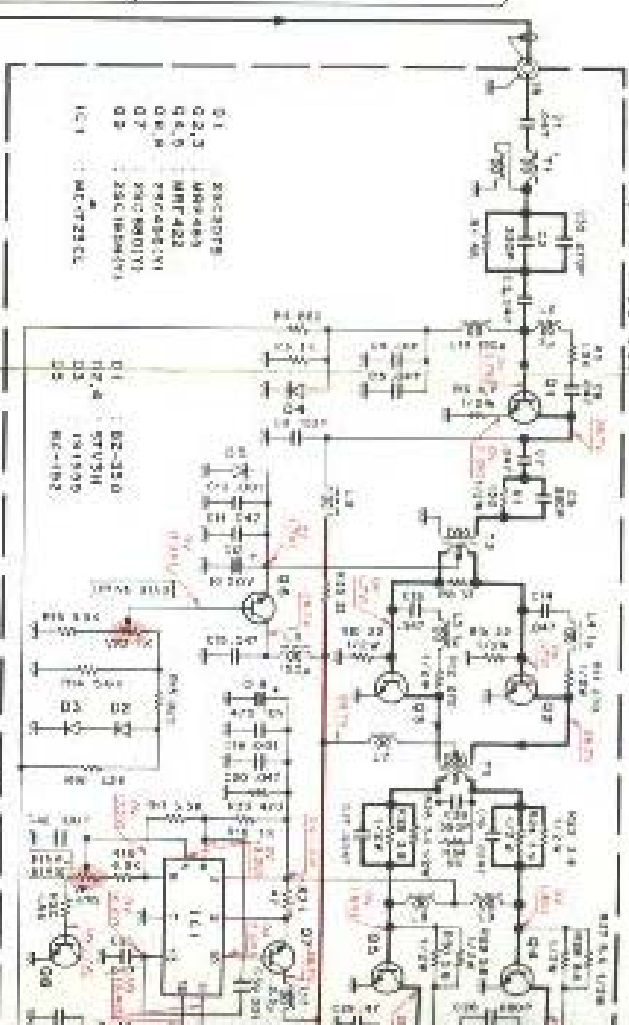


Signal Line

Control Line

Common DC Line

FINAL UNIT (X56-1430-001)

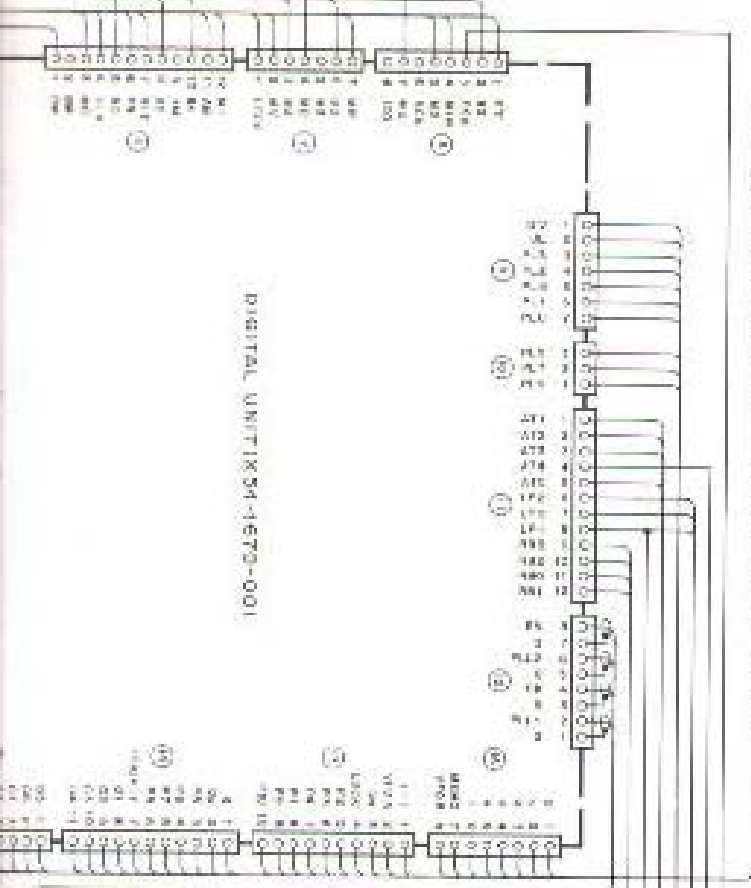


SM UNIT (X41-1410-010)

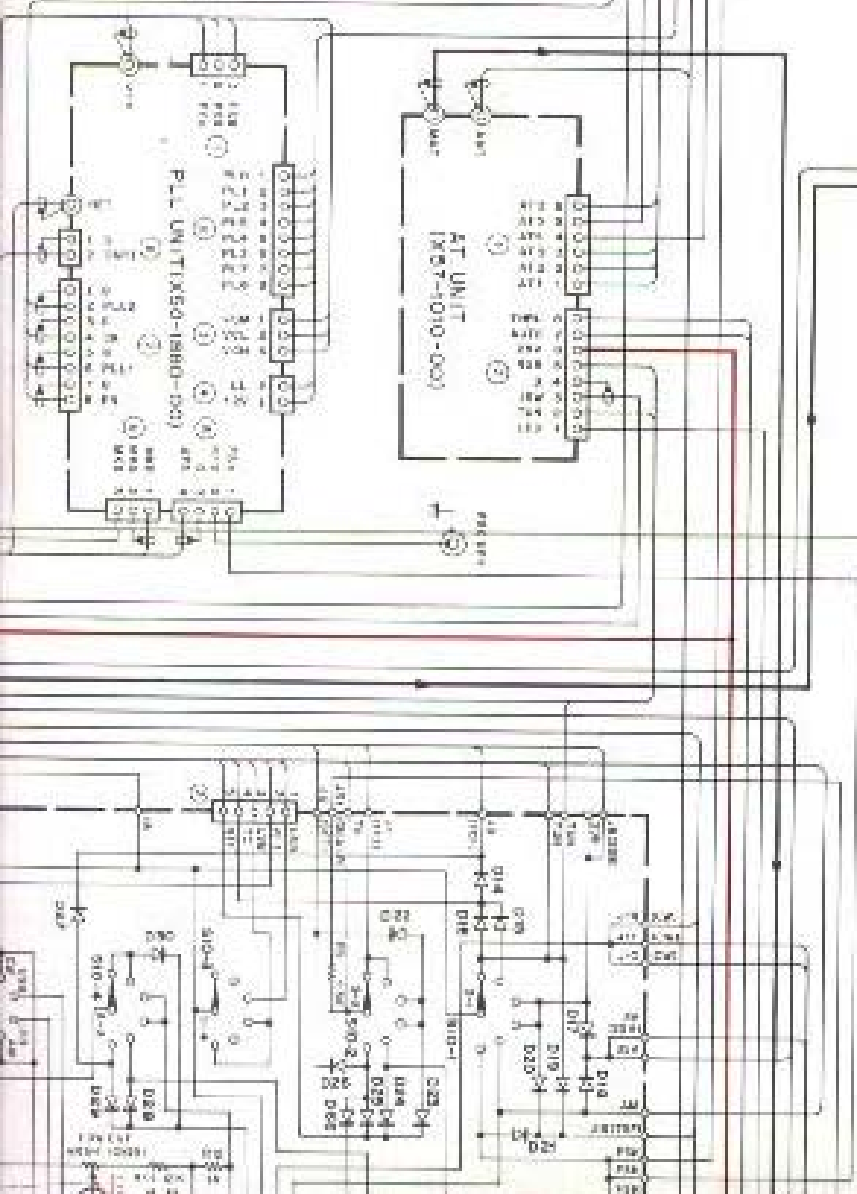


DISPLAY

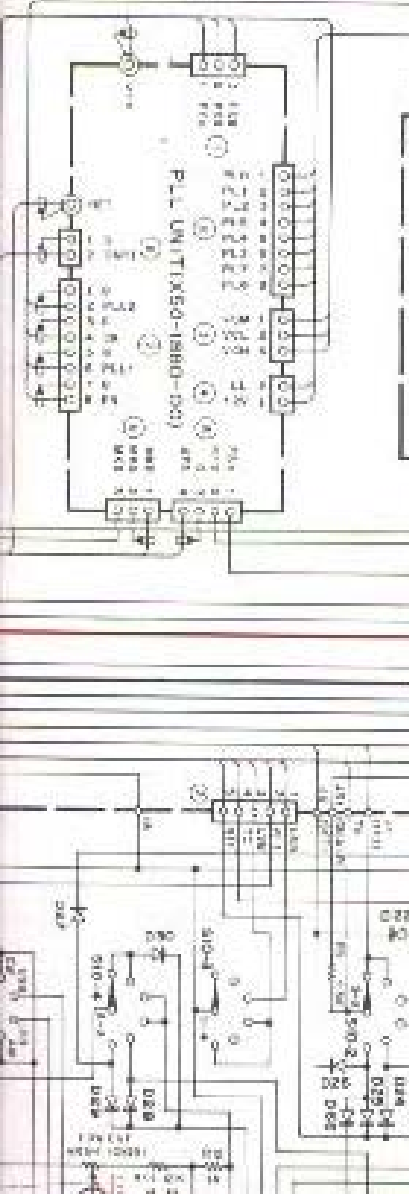
DIGITAL UNIT (X34-1670-001)



AT UNIT (X07-1010-000)

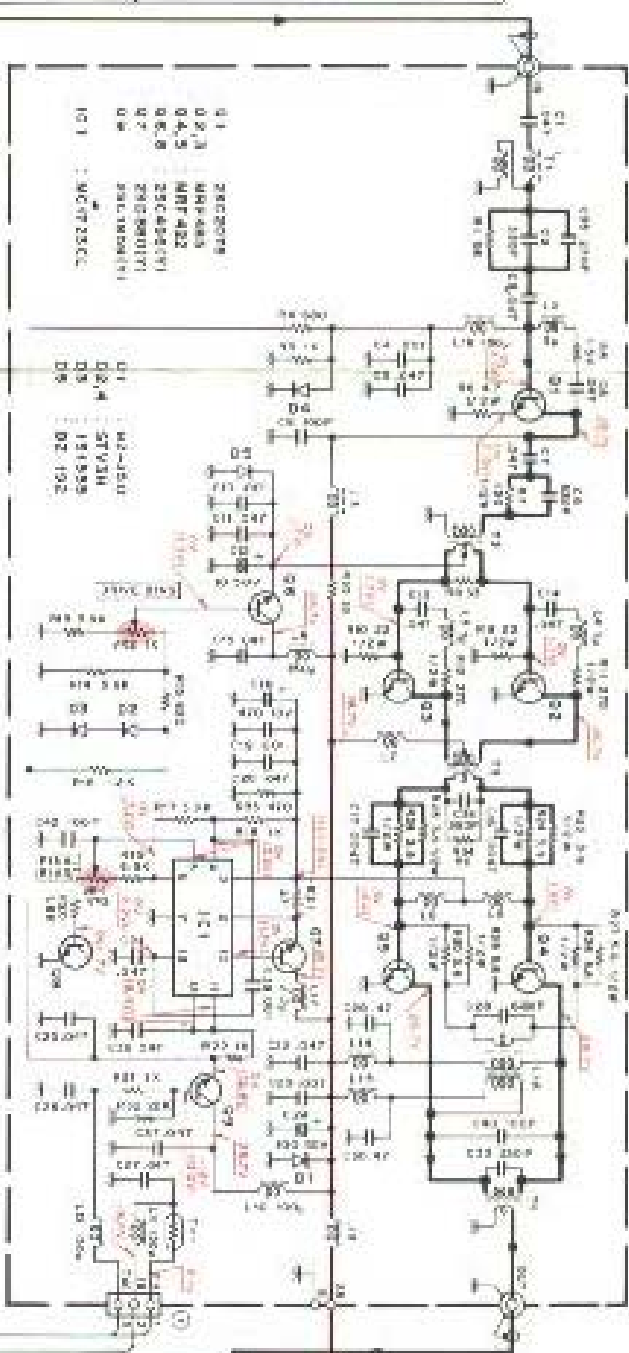


PLL UNIT (X50-1880-000)

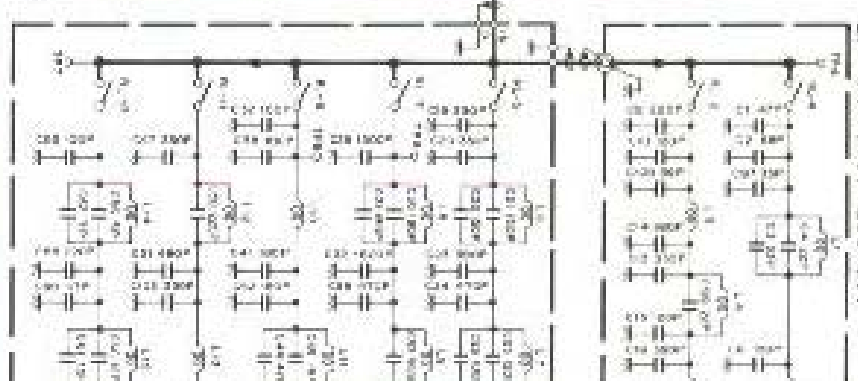


Signal Line      Control Line      Common DC Line

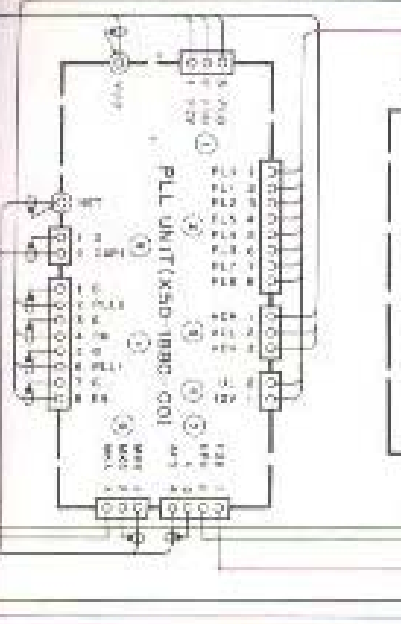
FINAL UNIT (X56-1430-001)



LPF UNIT (X51-1280-001)



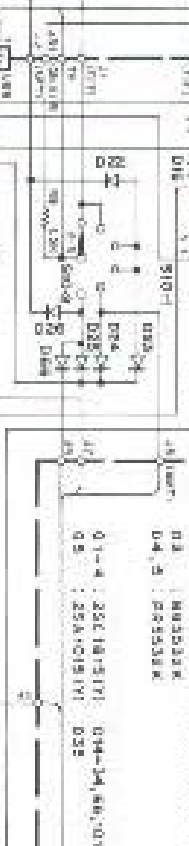
AT UNIT (X57-1010-001)



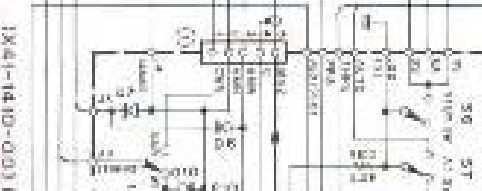
PLL UNIT (X50-1880-001)



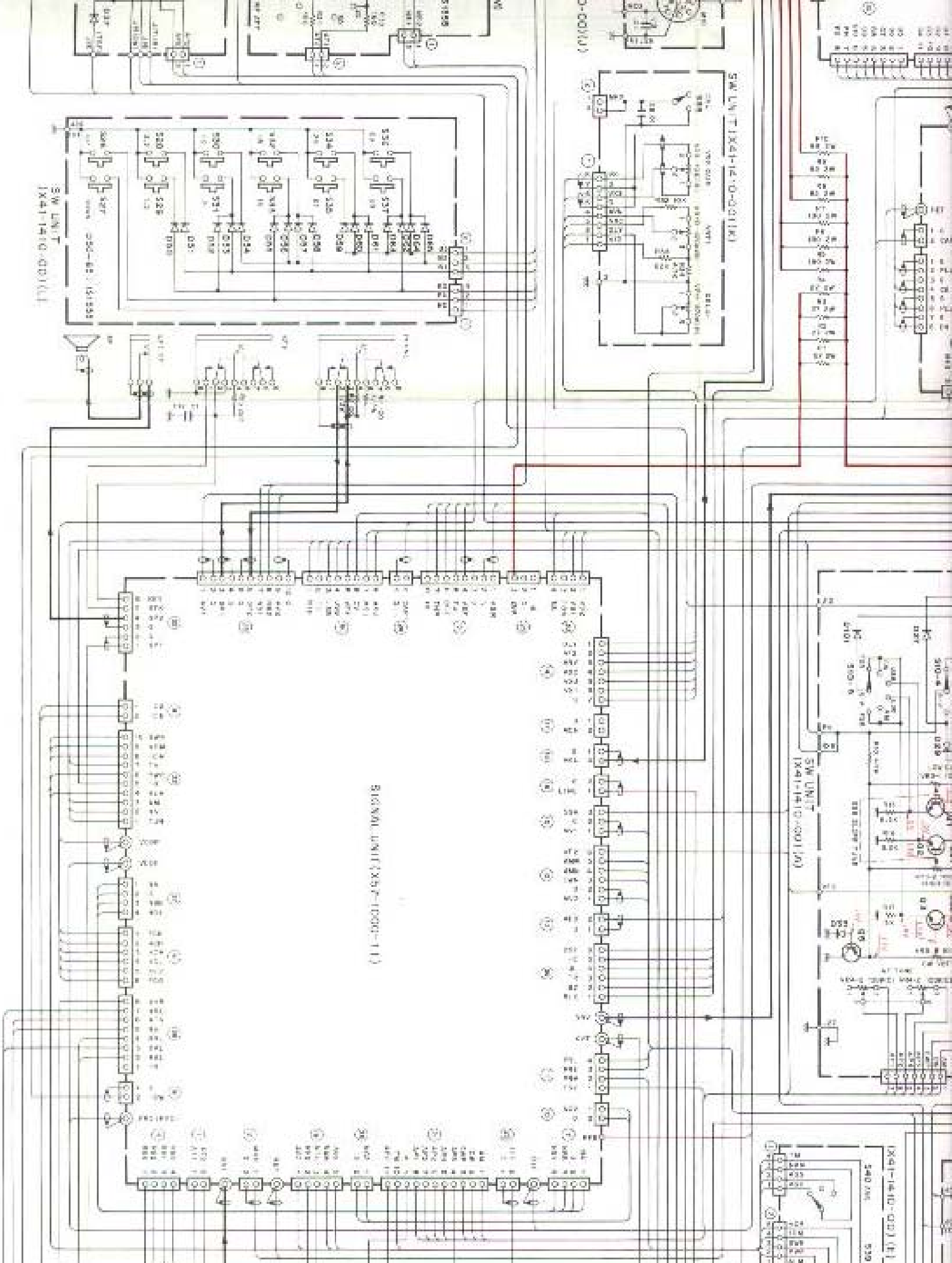
SW UNIT (X4-1410-001(B))



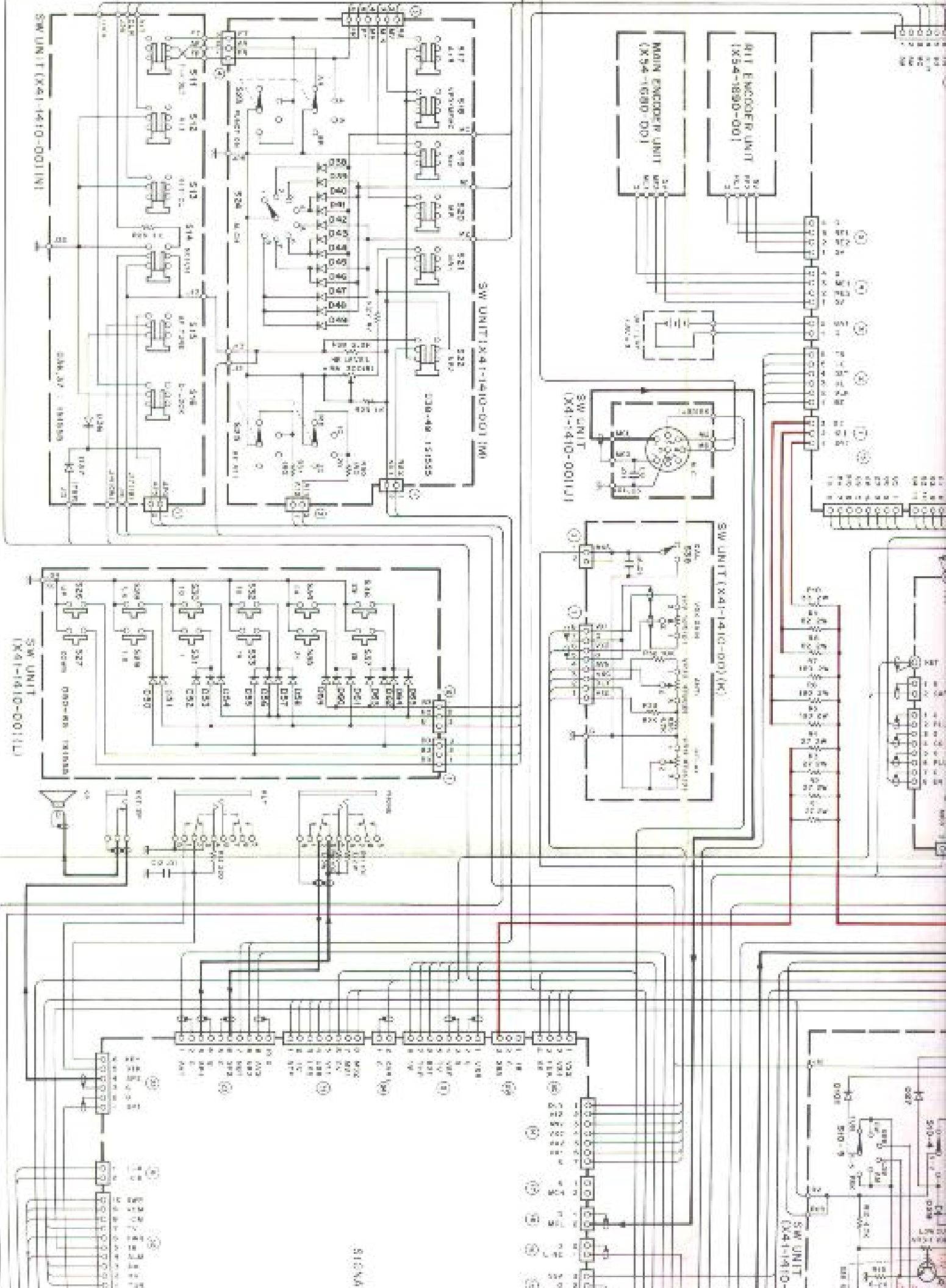
SW UNIT (X4-1410-001)

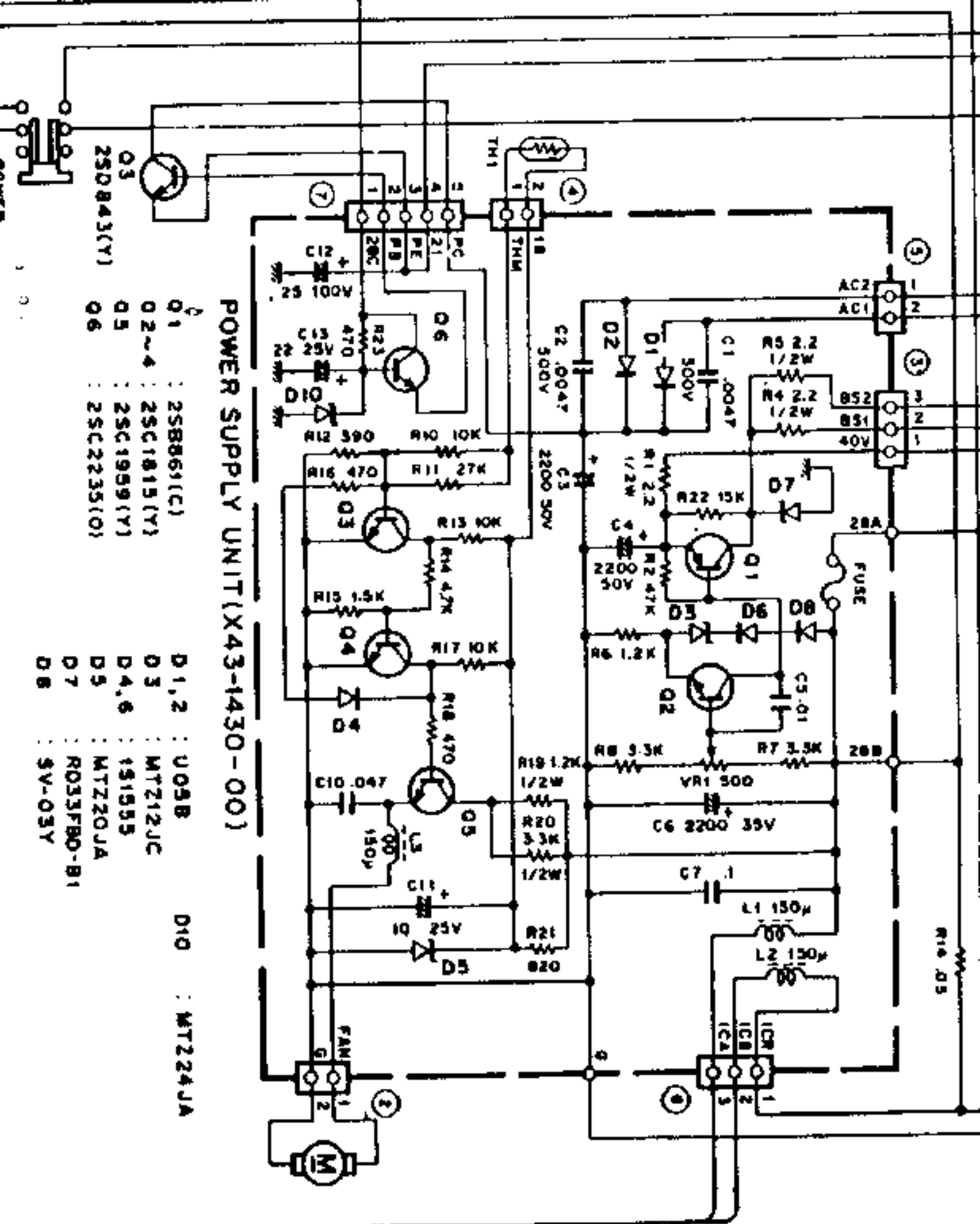


X4-1410-001









**POWER SUPPLY UNIT (X43-1430-00)**

- Q1 : 2S8B61(C)
- Q2~4 : 25C1815(Y)
- Q5 : 25C1959(Y)
- Q6 : 25C2235(O)

- D1,2 : U05B
  - D3 : MT212JC
  - D4,6 : 1S1555
  - D5 : MT220JA
  - D7 : R033FB0-B1
  - D8 : 5V-03Y
- D10 : MT224JA